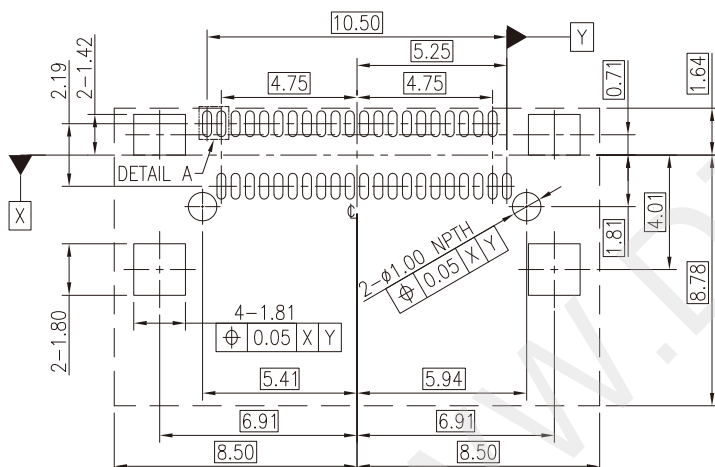


Detail A  
Scale:16:1



( SMT SHELL ATTACH OPTION ) RECOMMEND PCB LAYOUT  
TOP VIEW / TOLERANCE ±0.05

NOTES:

- MATERIAL:  
HOUSING: HIGH TEMPERATURE THERMOPLASTIC 94V-0, BLACK COLOR  
TERMINAL: COPPER ALLOY  
SHELL: STAINLESS STEEL
- PLATING:  
TERMINAL: SELECTIVE Au ON CONTACT AREA (SEE TABLE),  
MATTESn ON SOLDER TAIL AREA, BOTH OVER Ni UNDERPLATED OVERALL.  
SHELL: SOLDERABLE Ni PLATED OVERALL.



深圳市华宇创精密电子有限公司

<b>TOLERANCE:</b> X.X ±0.30 X.XX ±0.25 X.XXX ±0.15 X: ±2° X.X° ±0.5°	<b>DRAWN BY :</b> 陈一鸣	<b>DATE :</b> 2014-02-23	<b>PART NAME:</b> SFF-8612 OCULINK 42pin
	<b>CHECKED BY:</b> 马跃	<b>DATE :</b> 2014-02-23	<b>PART NO.</b> HYC106-OCUL42-392 <b>MOLD NO.</b>
 <b>UNIT: mm [inch]</b> <b>SCALE:1:1 SIZE: A4</b>	<b>APPROVED BY:</b> 邱敏	<b>DATE :</b> 2014-02-23	<b>DRAW NO:</b> HYC-2605191123 <b>SHEET NO.</b> 1 OF 1